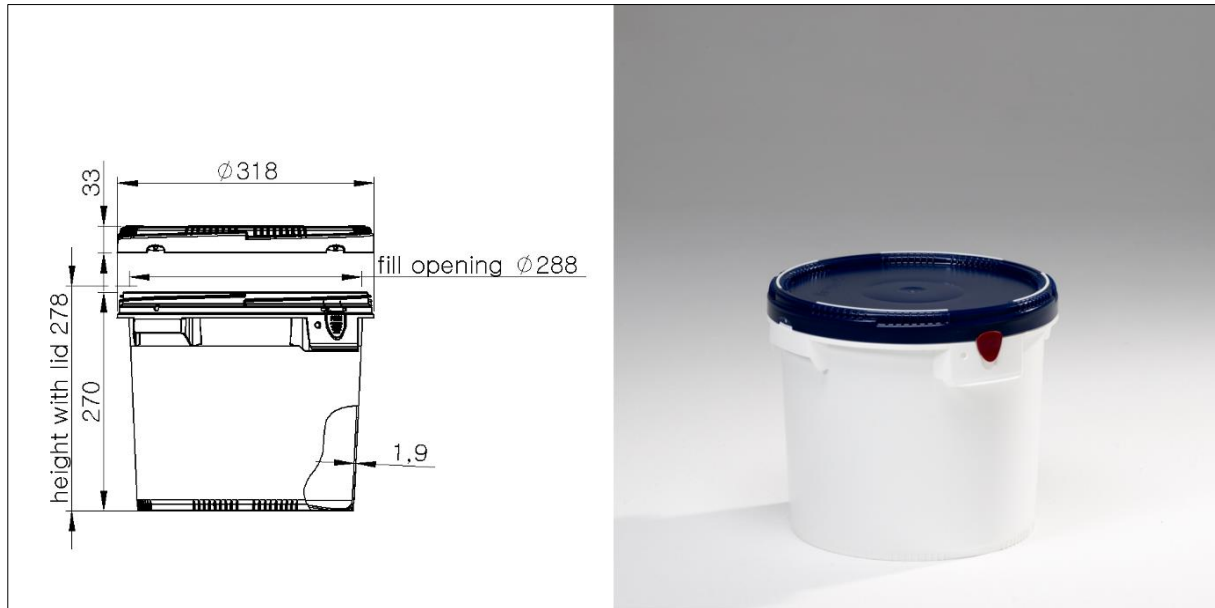


4415

15 litre Click Pack^Y



For dimensional tolerances see table on next page

Product part	Product code	Description	Materials
Container	4415-60-004	15 litre nestable container	HDPE
Lid	4402-60-611	Screw lid	HDPE
Gasket	/	Sealing gasket	TPE
Pin	4404-00-407	Tamper Evident Sealing Pin	PS

Capacity	Litres	US Gallons
Brimful	15	3.96
When closed	15	3.96

Weight	Grams	Ounces
Container	615	21.69
Lid (including gasket)	240	8.47
Pin	2	0.07
Total	857	30.23

Colours	Colour code	PMS references
Container	White 004	/
Lid	Blue 611	2767 C
Gasket	White 004	/
Pin	Red 407	188 C

Hazardous material information	
Hazardous material type	Solids
Packaging group	I – II – III
UN marking	1H2/X14/Y21/Z30/S/--/NL/CURTEC 3278
Maximum gross mass (kg)	X=14 Y=21 Z=30

Product identification	Container	Lid
Manufacturer ID	Bottom	--
Product code	Bottom	--
Recycle logo / Material type	Bottom	Inside
Date clock	Bottom	Inside
UN-mark	Handgrip	--
Food logo	Bottom	--
Material track clock	Bottom	--

Other information
The container can be opened and closed with just a quarter-turn
The lid is locked when it passes the safety button, confirmed by a 'click'
Maximum filling temperature is 70°C/ 158°F
Contents must have cooled to 30°C/ 86°F before containers can be closed and stacked
DoC available on request
UN certificate available on request
MVTR declaration available on request
Other colours available on request
User manual available on request

Dimensional tolerance (mm) according to DIN16742-TG7																
Over	1	>3	>6	>10	>18	>30	>50	>80	>120	>180	>250	>315	>400	>500	>630	>800
up to	3	6	10	18	30	50	80	120	180	250	315	400	500	630	800	1000
NW (±)	0.20	0.29	0.35	0.42	0.50	0.60	0.90	1.25	1.45	1.60	1.80	2.60	3.50	4.00	4.50	5.00

Weight tolerance
All products have a tolerance of ±4% on the initial weight mentioned on this data sheet

© 2016 Property of CurTec International B.V. All rights explicitly reserved, it is not allowed to copy or communicate to other parties without written consent of CurTec.