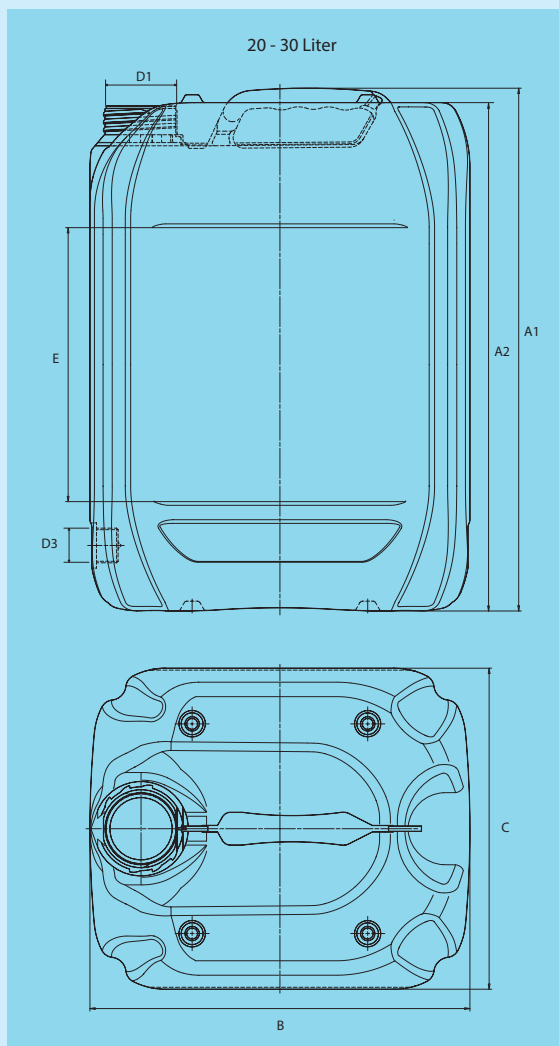
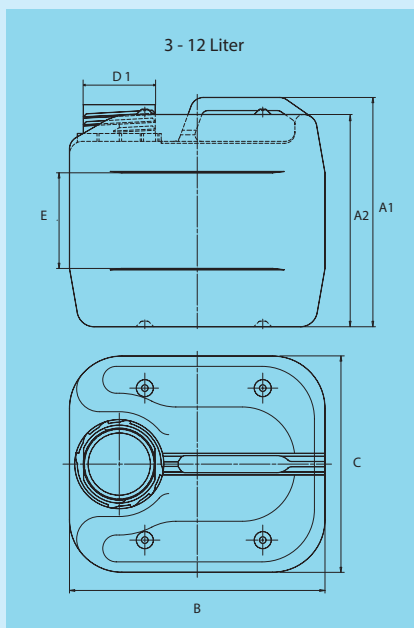


Müller MultiCan

Technical data

All dimensions and technical data are given as averages that correspond to the current status at the time of going to press.

Subject to change without prior notice.



A 1 = overall height
A 2 = stack height
B/C = base area

D 1 = outlet diameter
D 3 = thread for drum taps

Labelling zone / printing surface
E = height

Dimensions in mm

Litres	A1	A2	B	C	D1	D3	E
3	171	158	194	164	45/51/61		72
5	229	216	194	164	45/51/61		133
6	269	256	194	164	45/51/61		172
10	311	300	232	192	45/51/61		186
12	376	365	232	192	45/51/61		251
20	399	388	290	245	61/95	3/4"	209
25	471	460	290	245	61/95	3/4"	281
30	543	532	290	245	61/95	3/4"	353