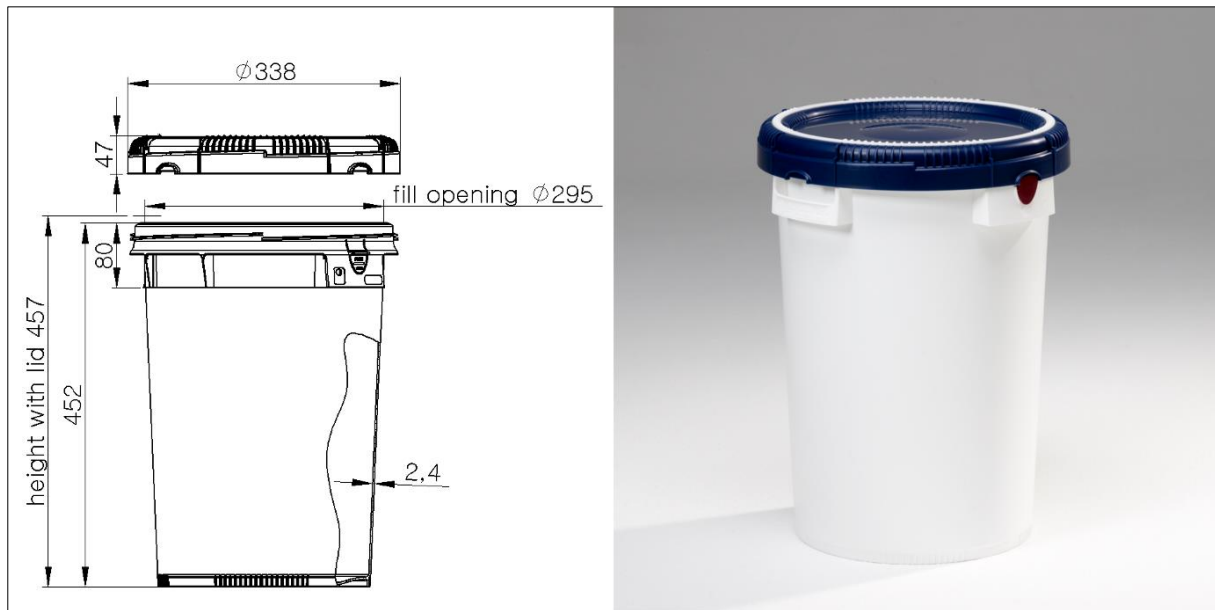


4525

25 litre HDPE Click Pack^x



For dimensional tolerances see table on next page

Product part	Product code	Description	Materials
Container	4525-70-004	25 litre nestable container	HDPE
Lid	4502-60-611	Screw lid	HDPE
Gasket	/	Sealing gasket	TPE
Pin	4504-00-407	Tamper Evident Sealing Pin	PS

Capacity	Litres	US Gallons
Brimful	26.7	7
When closed	25	6.6

Weight	Grams	Ounces
Container	1177	41.52
Lid	350	12.35
Pin	2	0.07
Total	1529	53.93

Colours	Colour code	PMS references
Container	White 004	/
Lid	Blue 611	2767 C
Gasket	White 004	/
Pin	Red 407	188 C

Hazardous material information	
Hazardous material type	Solids
Packaging group	I - II - III
UN marking	1H2/X30/S/--/B/CURTEC 000066
Maximum gross mass (kg)	X=30 Y=45 Z=67

Product identification	Container	Lid
Manufacturer ID	Bottom	--
Country of origin	Bottom	--
Product code	Bottom	--
Recycle logo / Material type	Bottom	Inside
Date clock	Bottom	Inside
UN-mark	Handgrip	--
Food logo	--	Top
Material track clock	Bottom	--

Other information
<p>The container can be opened and closed with just a quarter-turn</p> <p>The lid is locked when it passes the safety button, confirmed by a 'click'</p> <p>Maximum filling temperature is 70°C/ 158°F</p> <p>Contents must have cooled to 30°C/ 86°F before containers can be closed and stacked</p> <p>Compliant with EU + US food safety regulations</p> <p>DoC available on request</p> <p>UN certificate available on request</p> <p>MVTR declaration available on request</p> <p>Other colours available on request</p> <p>User manual available on request</p>

Dimensional tolerance (mm) according to DIN16742-TG7																
Over	1	>3	>6	>10	>18	>30	>50	>80	>120	>180	>250	>315	>400	>500	>630	>800
up to	3	6	10	18	30	50	80	120	180	250	315	400	500	630	800	1000
NW (±)	0.20	0.29	0.35	0.42	0.50	0.60	0.90	1.25	1.45	1.60	1.80	2.60	3.50	4.00	4.50	5.00

Weight tolerance
All products have a tolerance of ±4% on the initial weight mentioned on this data sheet

© 2016 Property of CurTec International B.V. All rights explicitly reserved, it is not allowed to copy or communicate to other parties without written consent of CurTec.